

PROCESSOR
252 SHEET 4
DSP AUDIO

RECEIVER

SYNTH-VCO

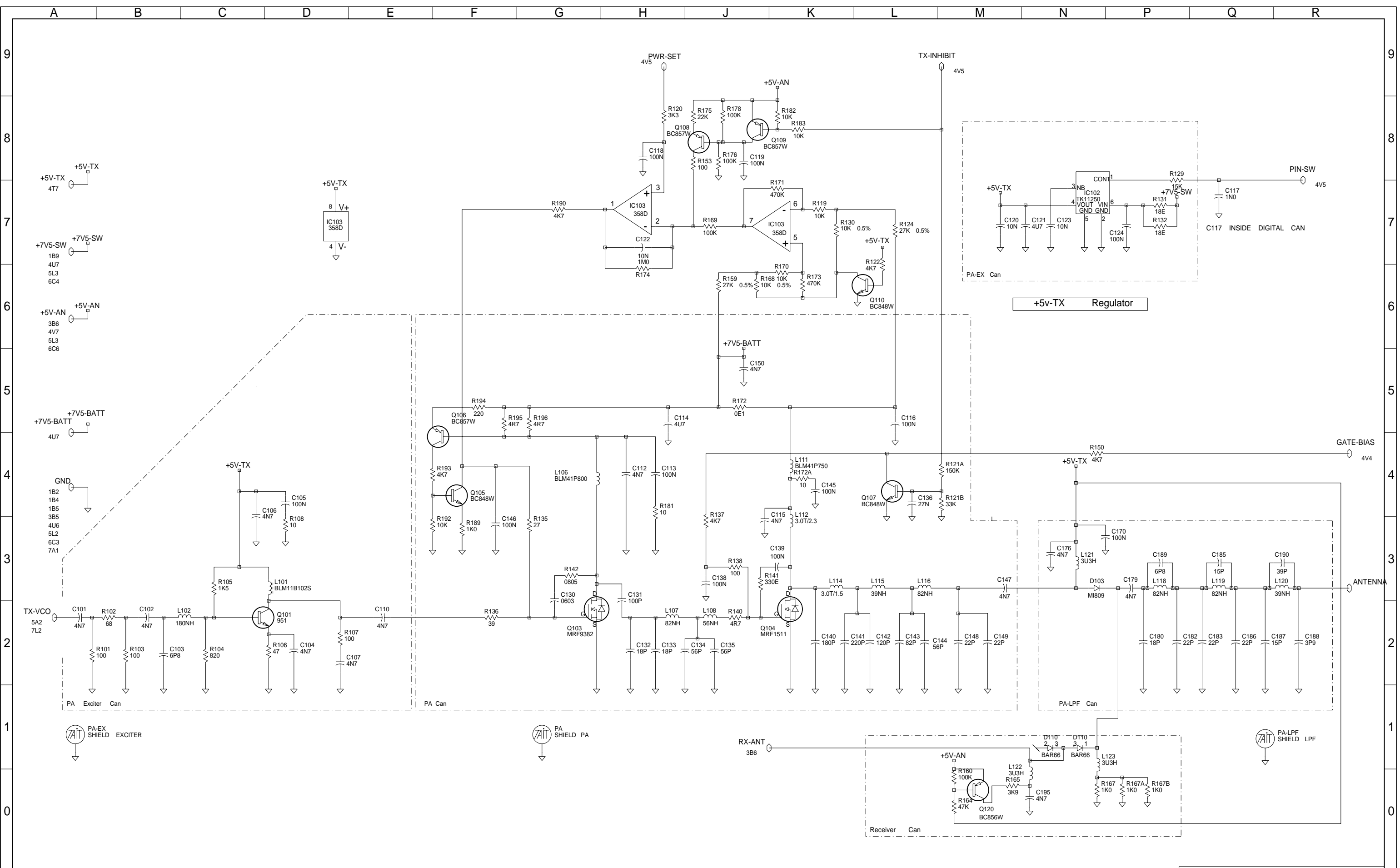
VCO
sheet 6

POWER-AMP

SUB-VHF
Tait Orca

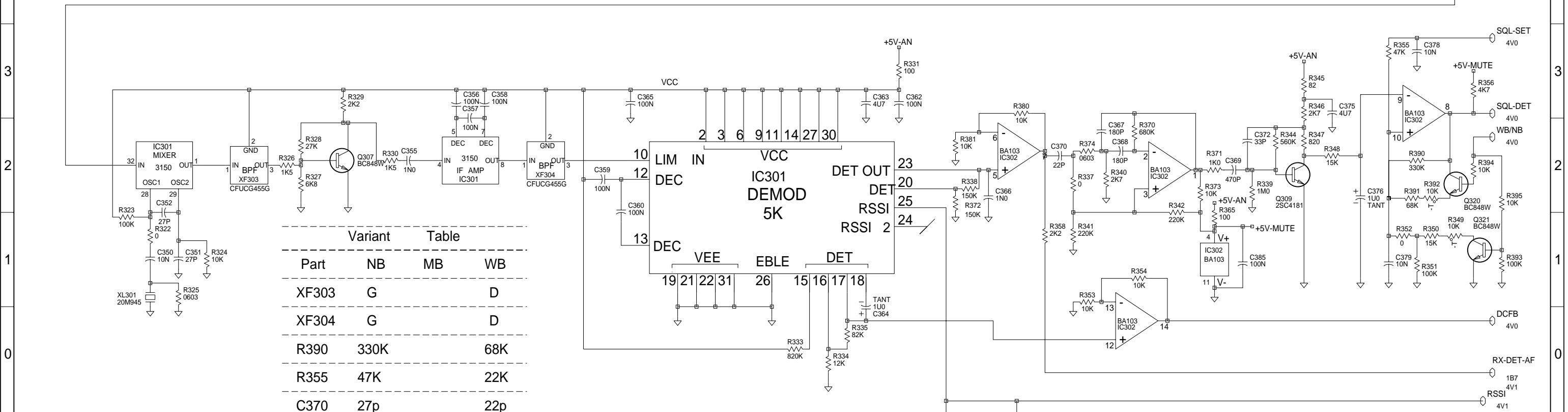
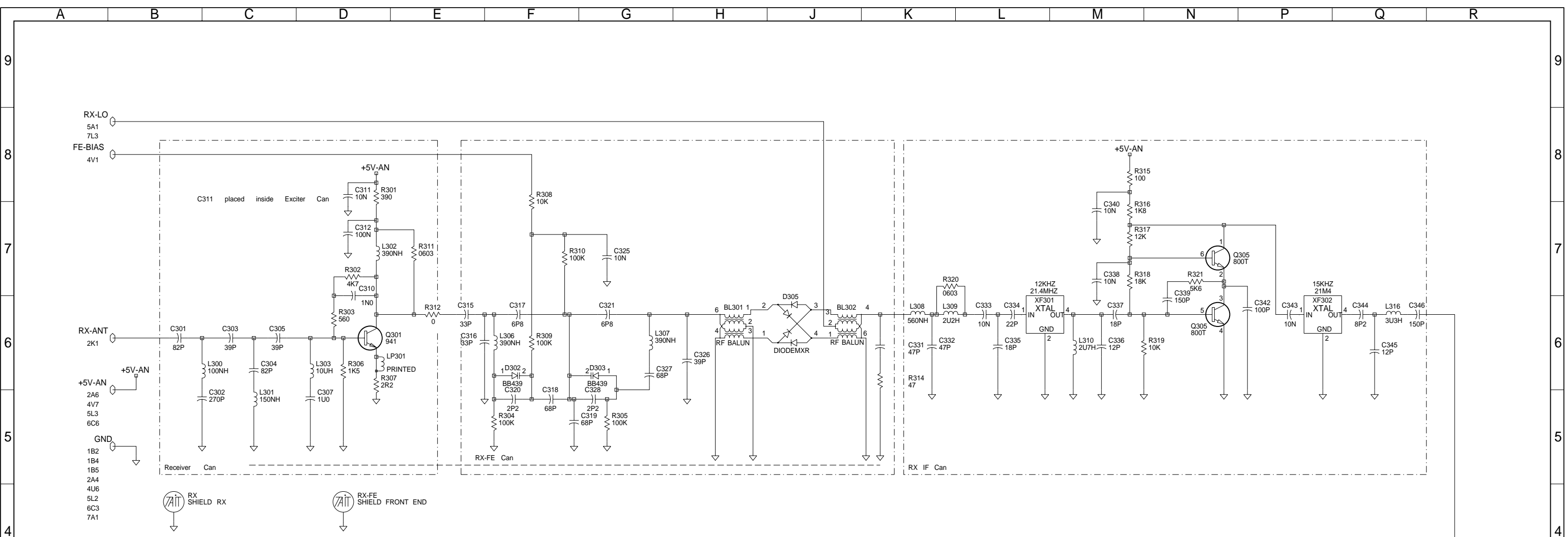
© TAIT ELECTRONICS	
ORCA :	66-88MHZ
SYSTEM DIAGRAM	
IPN: 220-01616-01A	ISSUE: A
DESIGNER: TAIT ORCA	FILE NAME: BRD
DATE: 161601a	FILE DATE: 21-Sep-99
NO. SHEETS: 7	

01A						
REV/ISS	AMENDMENTS	DRAWN	CHKD	D.O.	APVD	DATE



© TAIT ELECTRONICS
 ORCA : 66-88MHZ POWER AMPLIFIER
 IPN: A ISSUE: 2.S.C. 2
 PROJECT: 220-01616-01A DESIGNER: BRD FILE NAME: 161601a FILE DATE: 21-Sep-99 NO.SHEETS: 7

REV/ISS	AMENDMENTS	DRAWN	CHKD	D.O.	APVD	DATE
A						

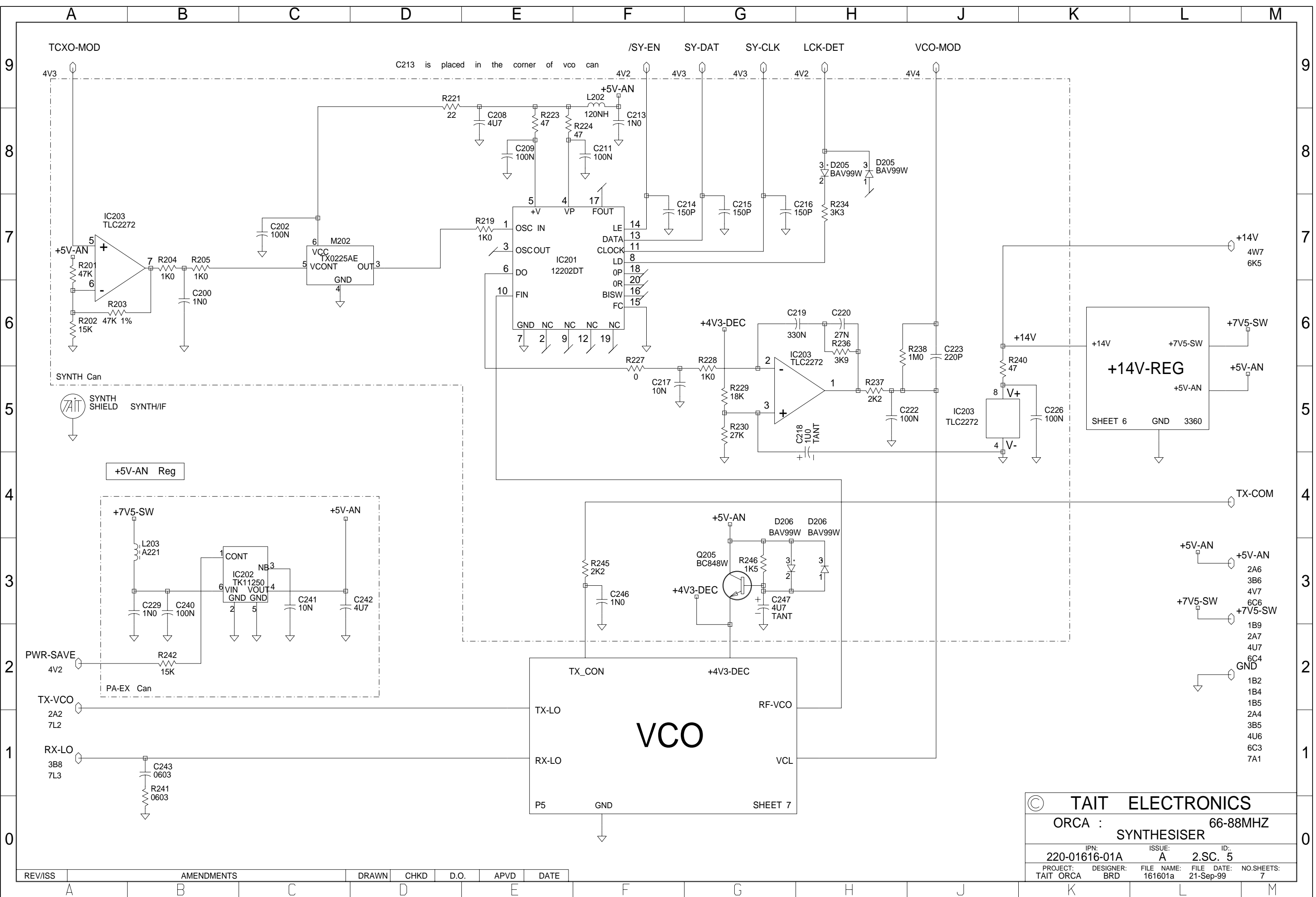


Variant Table

Part	NB	MB	WB
XF303	G		D
XF304	G		D
R390	330K		68K
R355	47K		22K
C370	27p		22p
C369	470p		330p

© TAIT ELECTRONICS
 ORCA : RECEIVER 66-88MHZ
 IPN: 220-01616-01A ISSUE: A 2.S.C. 3
 PROJECT: TAIT ORCA BRD DESIGNER: FILE NAME: 161601a DATE: 21-Sep-99 NO.SHEETS: 7

REV/ISS	AMENDMENTS	DRAWN	CHKD	D.O.	APVD	DATE



C213 is placed in the corner of vco can

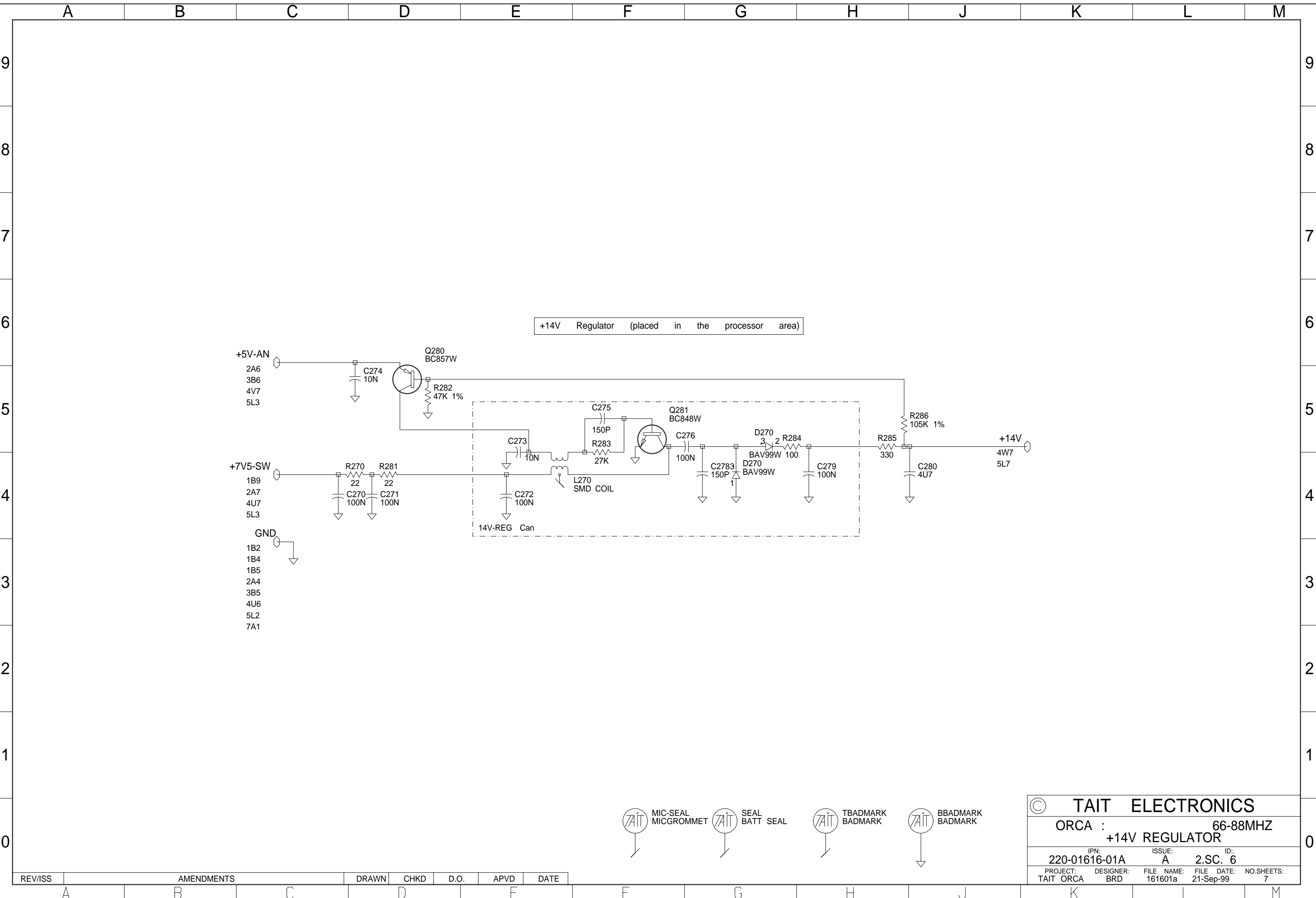
+14V-REG
SHEET 6
GND 3360

VCO
SHEET 7
P5 GND

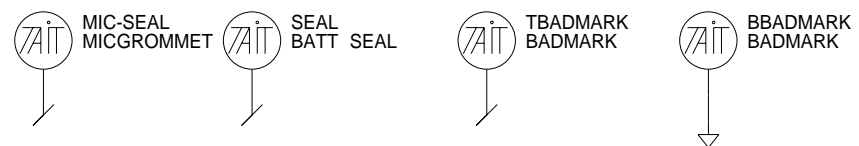
© TAIT ELECTRONICS				
ORCA :		66-88MHZ		
		SYNTHESISER		
IPN:	ISSUE:	ID:		
220-01616-01A	A	2.SC. 5		
PROJECT:	DESIGNER:	FILE NAME:	FILE DATE:	NO.SHEETS:
TAIT ORCA	BRD	161601a	21-Sep-99	7

REV/ISS	AMENDMENTS	DRAWN	CHKD	D.O.	APVD	DATE

- +5V-AN 2A6
- +5V-AN 3B6
- +5V-AN 4V7
- +7V5-SW 6C6
- +7V5-SW 1B9
- +7V5-SW 2A7
- +7V5-SW 4U7
- +7V5-SW 6C4
- GND 1B2
- 1B4
- 1B5
- 2A4
- 3B5
- 4U6
- 6C3
- 7A1

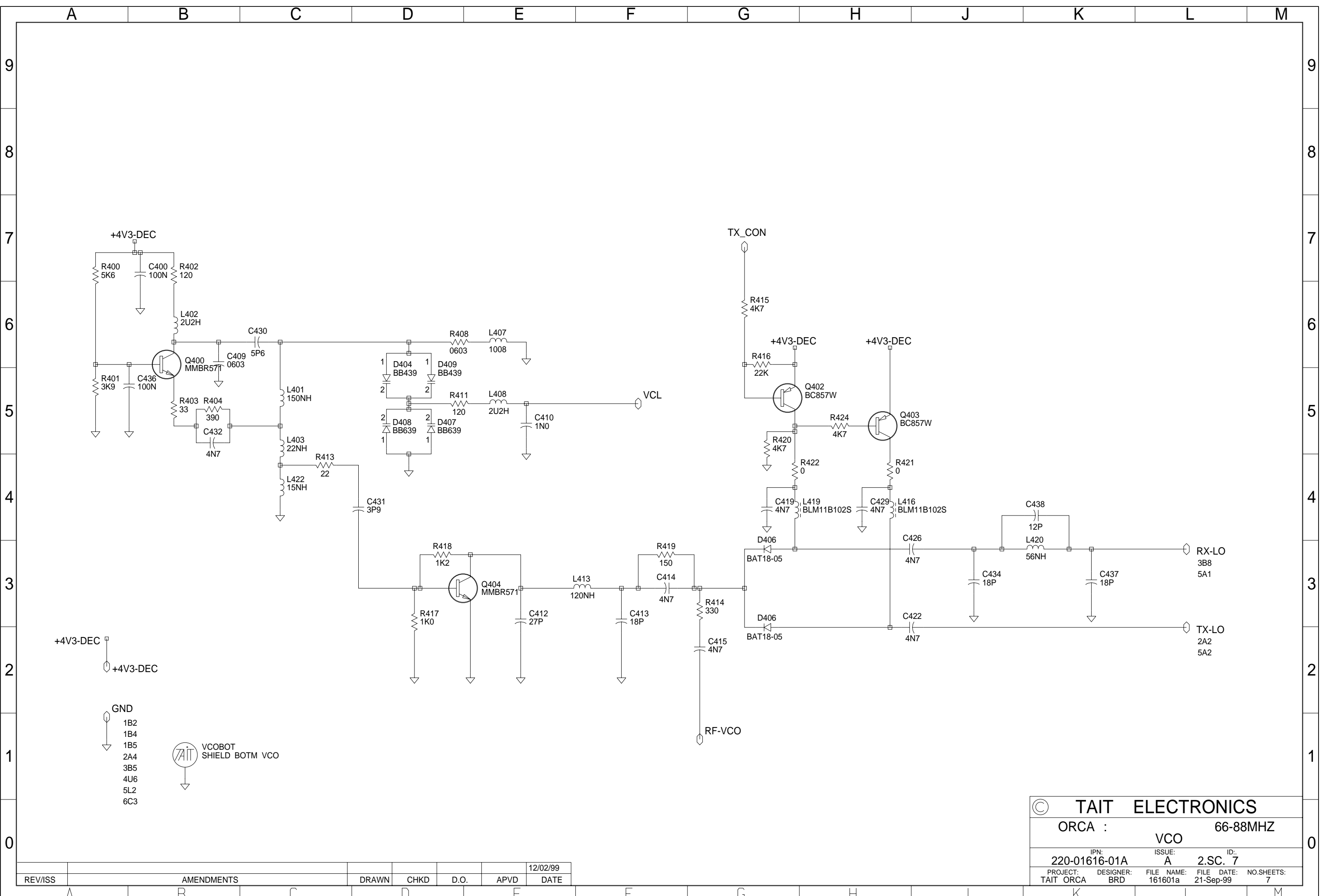


+14V Regulator (placed in the processor area)



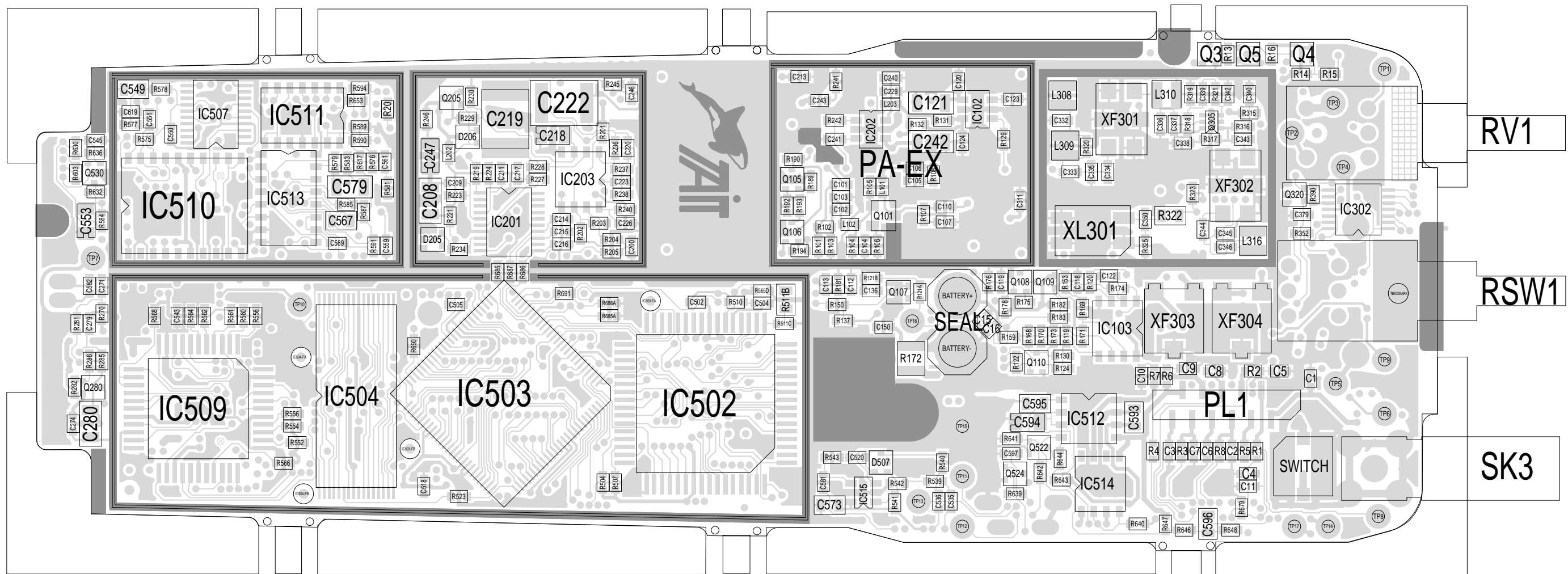
© TAIT ELECTRONICS	
ORCA :	66-88MHZ
+14V REGULATOR	
IPN: 220-01616-01A	ID: 2.SC. 6
ISSUE: A	NO.SHEETS: 7
PROJECT: TAIT ORCA	DESIGNER: BRD
FILE NAME: 161601a	FILE DATE: 21-Sep-99

REV/ISS	AMENDMENTS	DRAWN	CHKD	D.O.	APVD	DATE
---------	------------	-------	------	------	------	------



© TAIT ELECTRONICS	
ORCA :	66-88MHZ
VCO	
IPN: 220-01616-01A	ISSUE: A ID: 2.SC. 7
PROJECT: TAIT ORCA	DESIGNER: BRD FILE NAME: 161601a FILE DATE: 21-Sep-99 NO.SHEETS: 7

REV/ISS	AMENDMENTS	DRAWN	CHKD	D.O.	APVD	DATE
						12/02/99



TAIT ELECTRONICS IPN: 220-01616-01 ISS: -01A ID: 1.TA DATE: 21 Sep 1999
 SUB VHF PCB LAYOUT - TOP SIDE

